



① x 6

② x 16

③ x 2

④ x 8

⑤ x 4

⑥ x 1

⑦ x 1

⑧ x 1

⑨ x 2

⑩ x 8

⑪ x 4

⑫ x 4

⑬ x 4

⑭ x 4

⑮ x 4

⑯ x 4

⑰ x 4

⑱ x 4

⑲ x 4

⑳ x 4

㉑ x 4

㉒ x 4

㉓ x 4

㉔ x 4

㉕ x 4

㉖ x 4

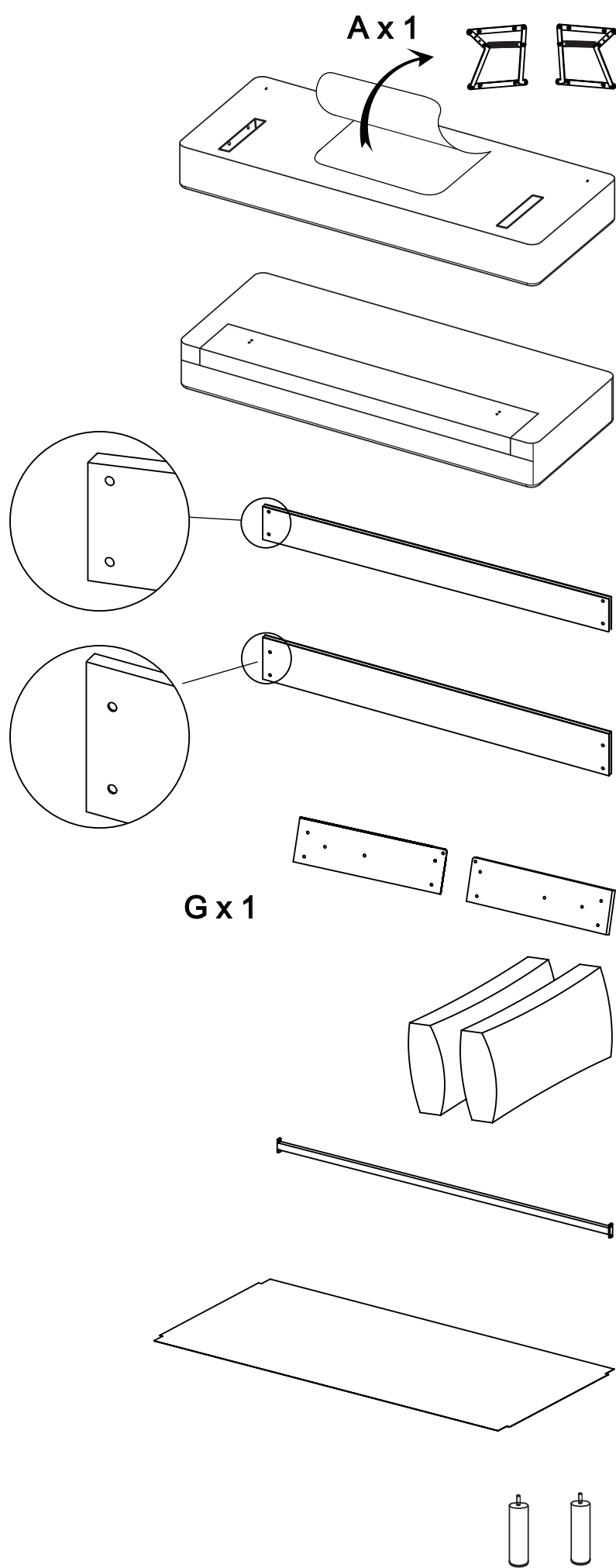
㉗ x 4

㉘ x 4

㉙ x 4

㉚ x 4

㉛ x 4



B x 1

C x 1

D x 1

E x 1

F x 1

H x 1

I x 2

J x 1

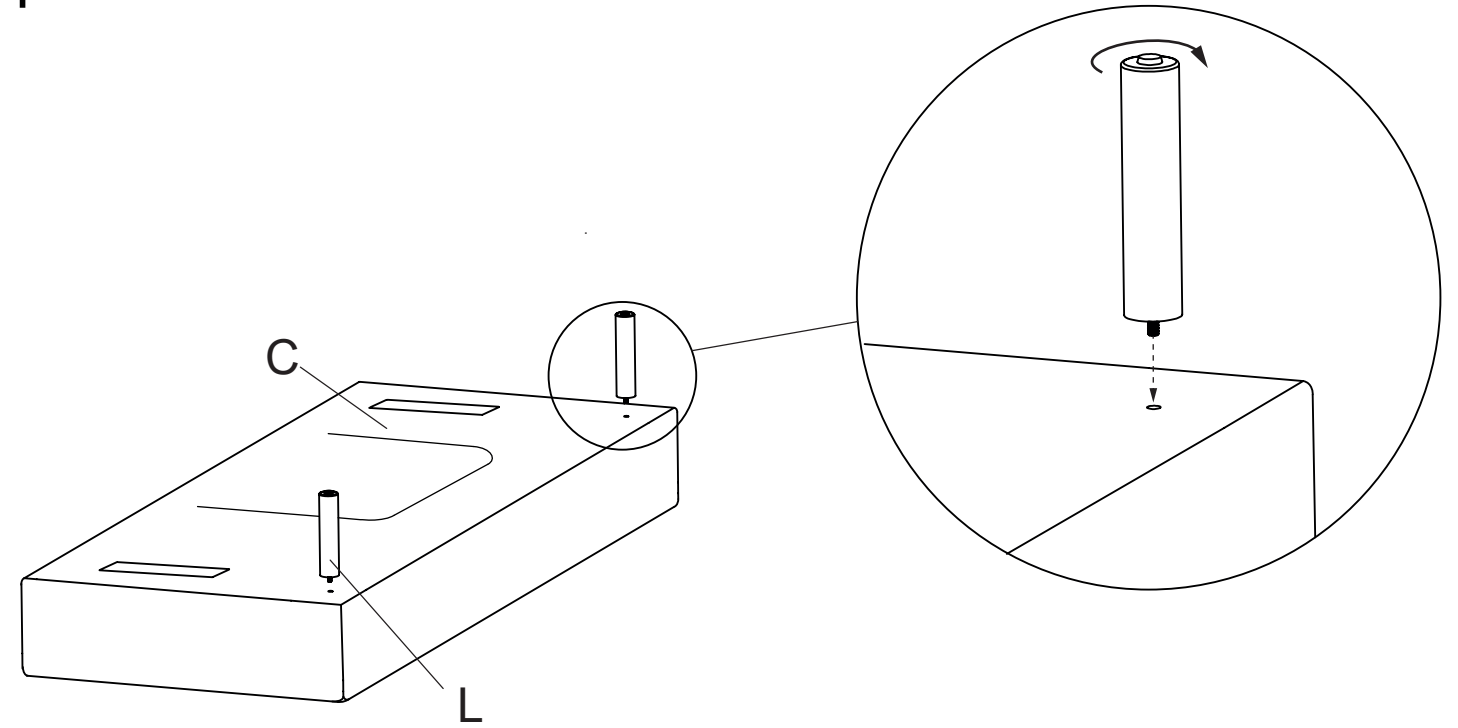
K x 1

L x 2

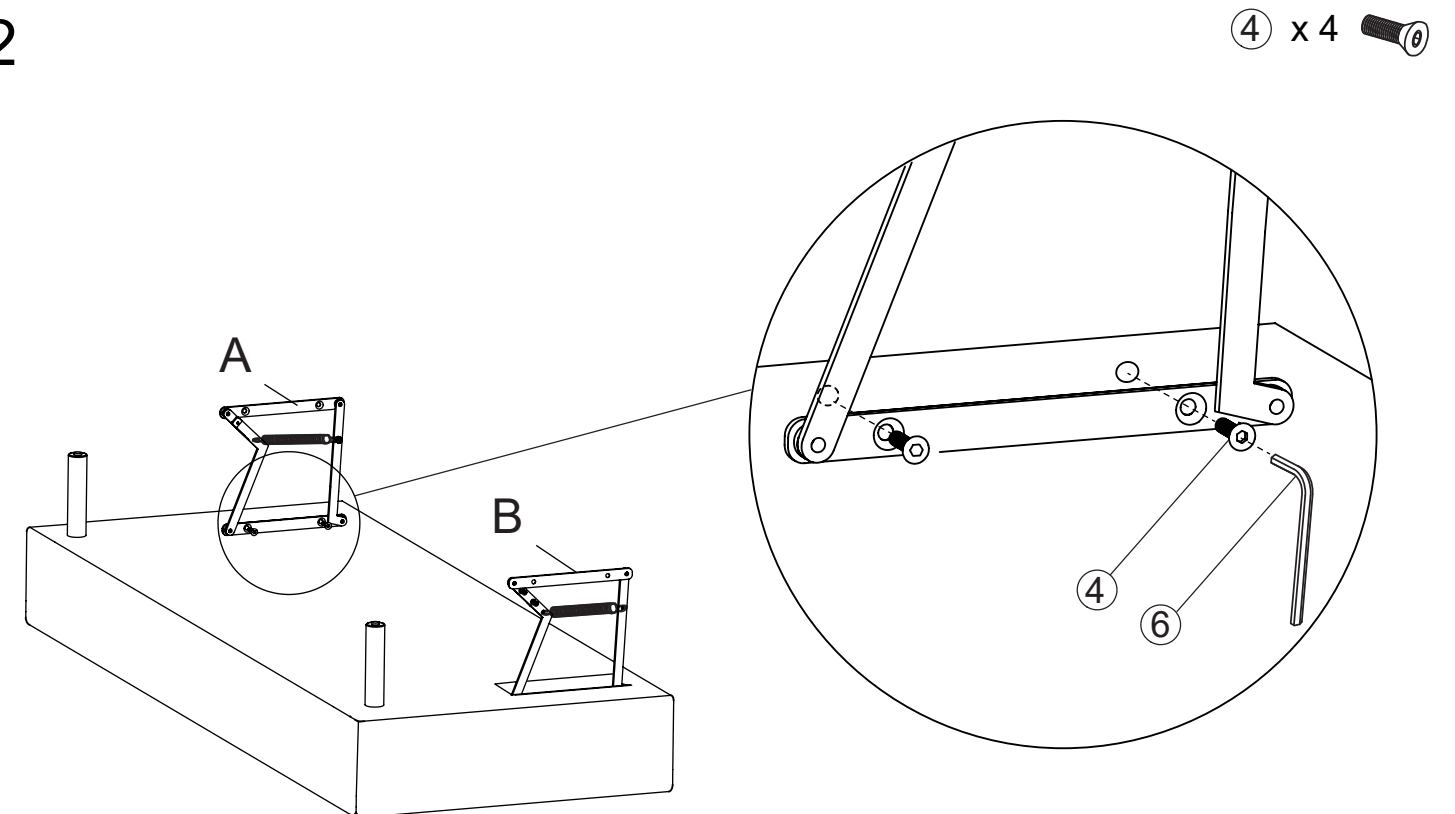


068013


1

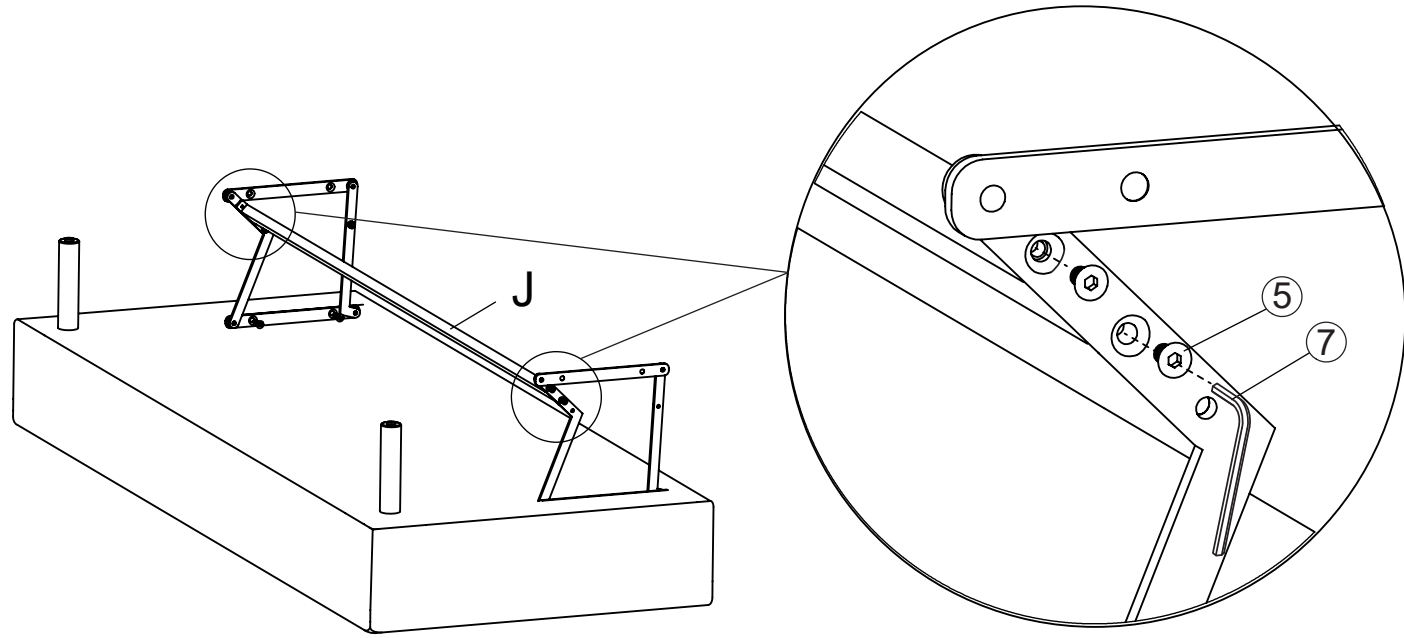


2


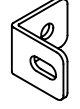


3

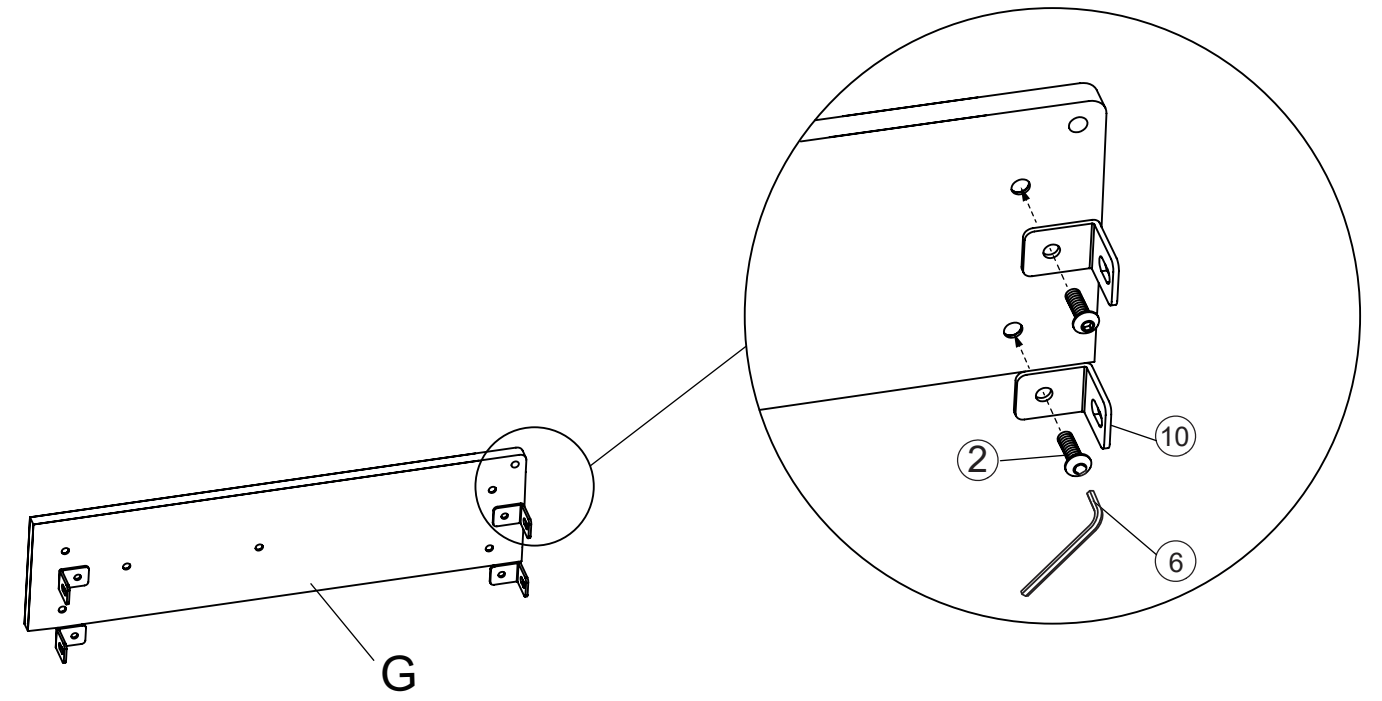
⑤ x 4 





5

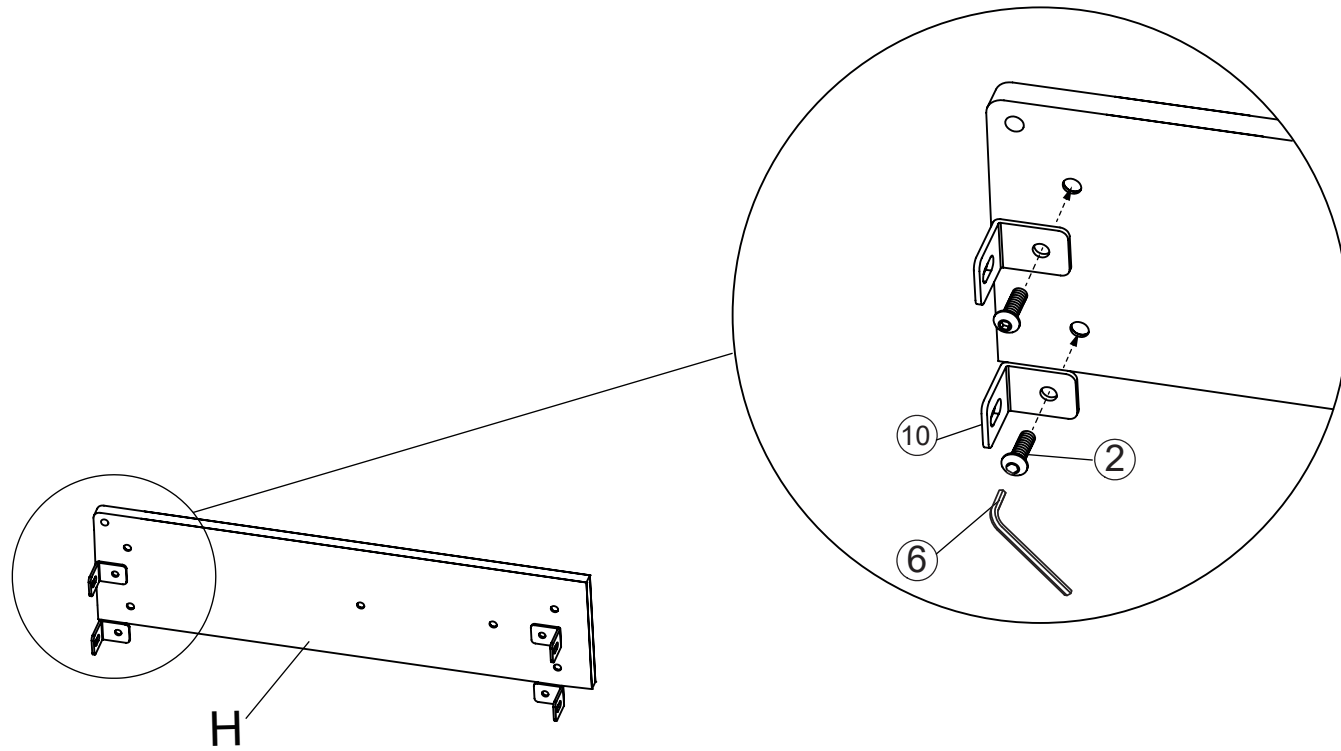
② x 4  ⑩ x 4 

068013



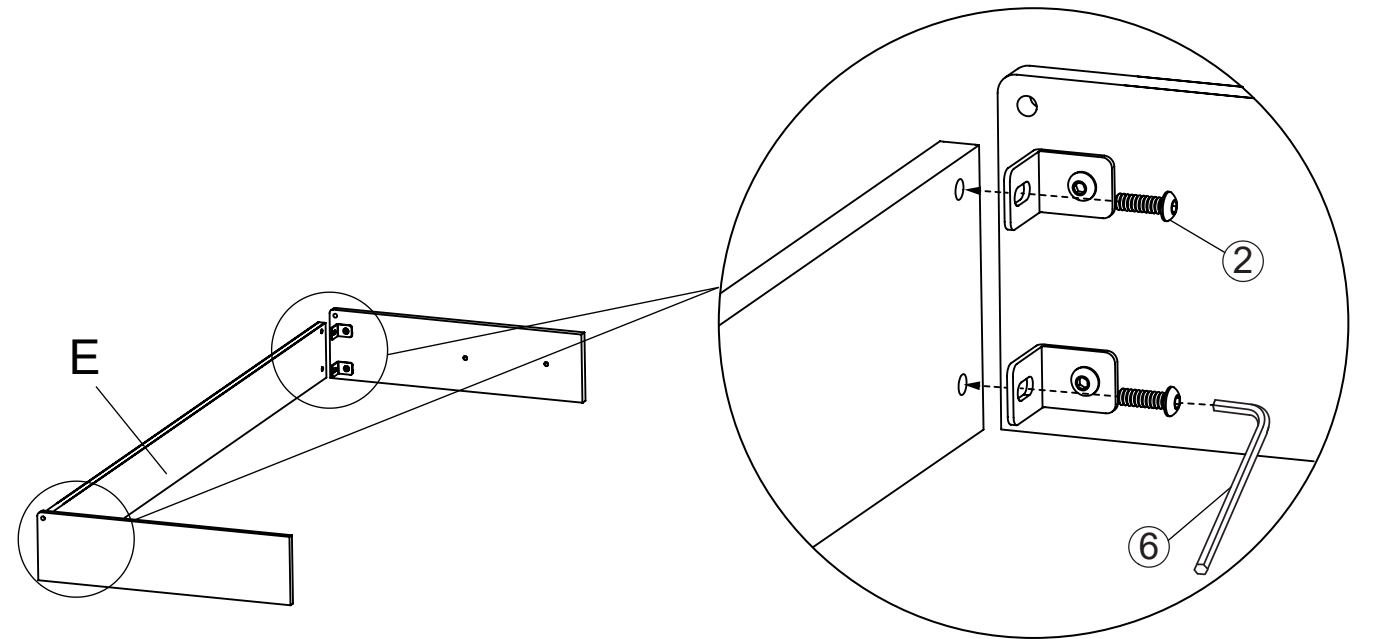
4

② x 4  ⑩ x 4 




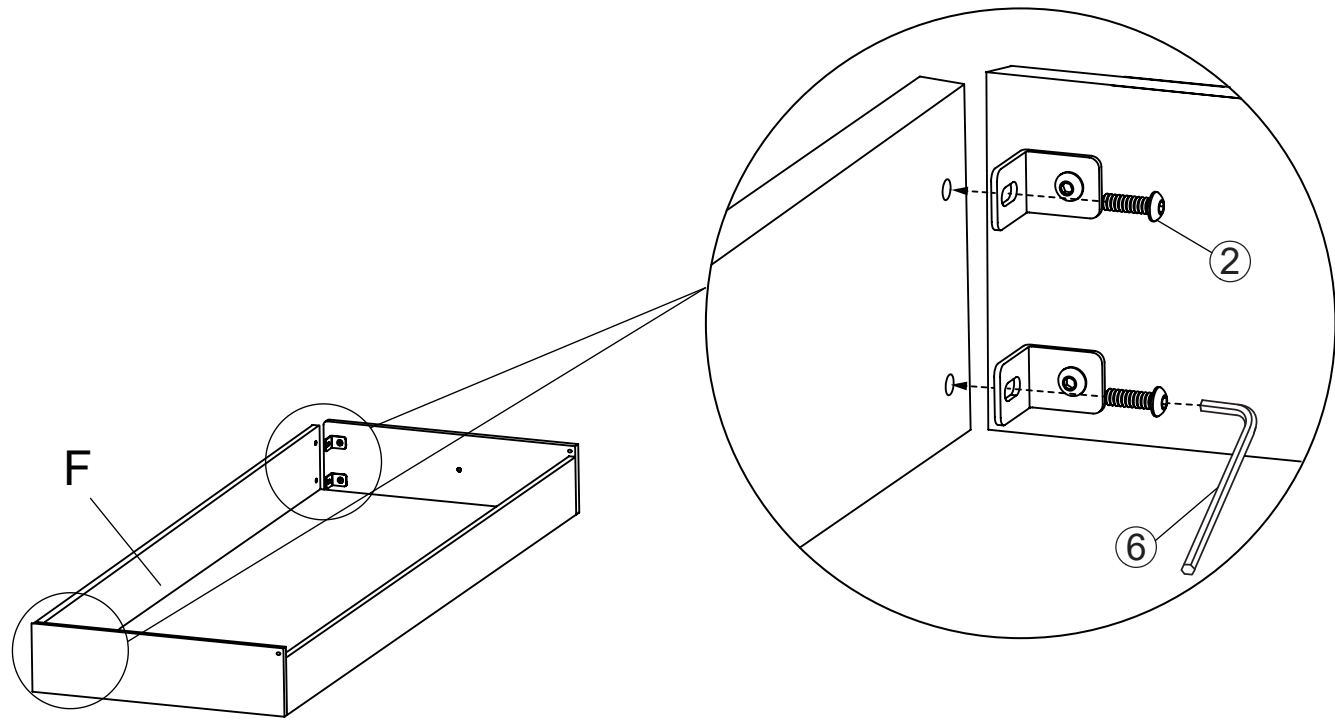
6

② x 4 



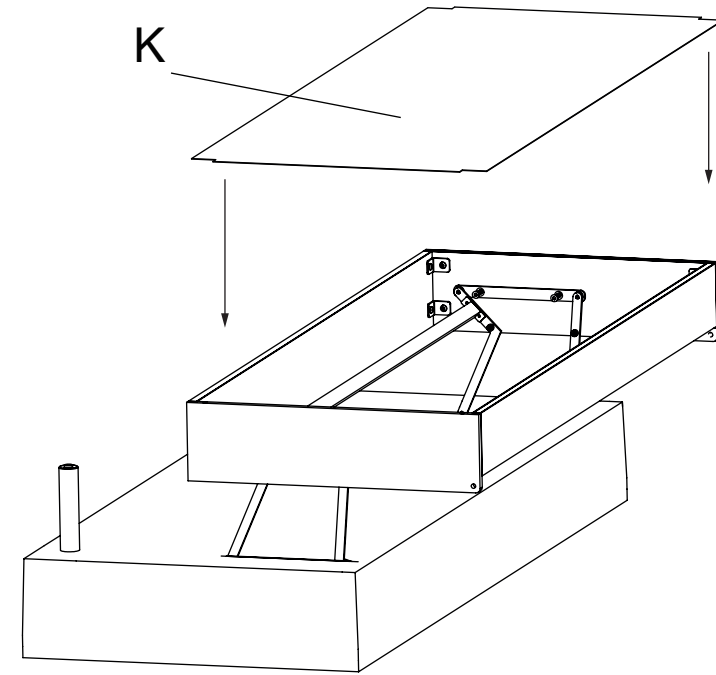
7

② x 4 




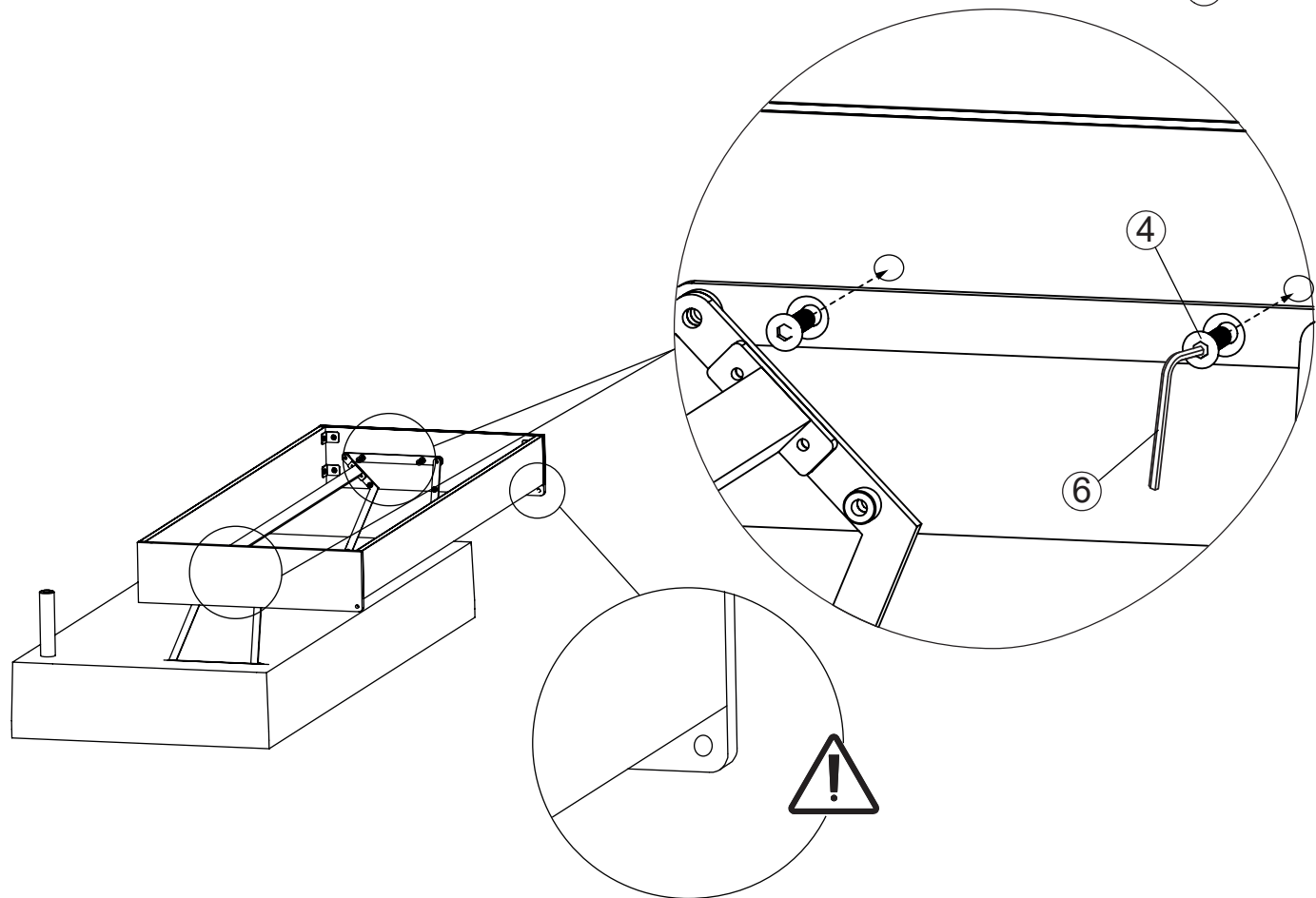
9

068013



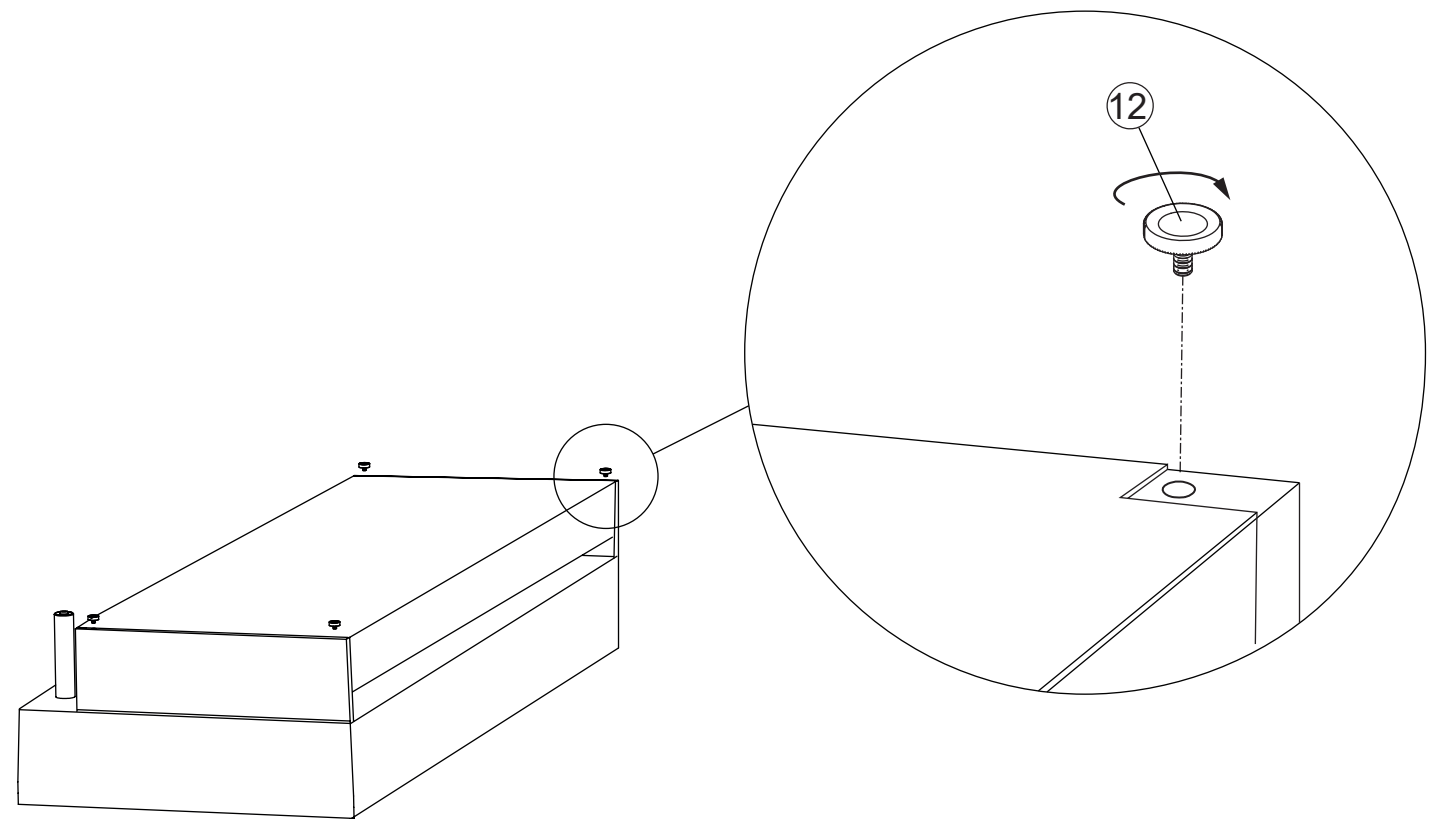
8

④ x 4 


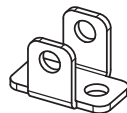


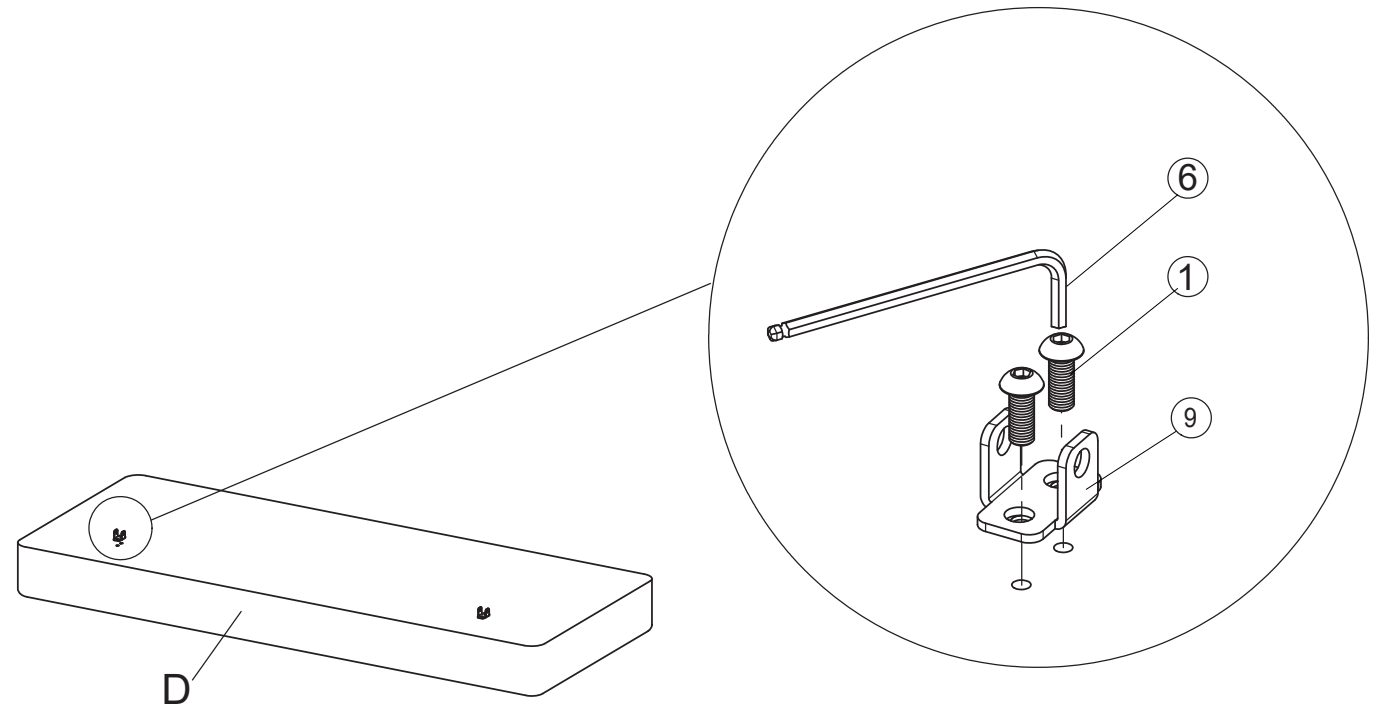
10

⑫ x 4 



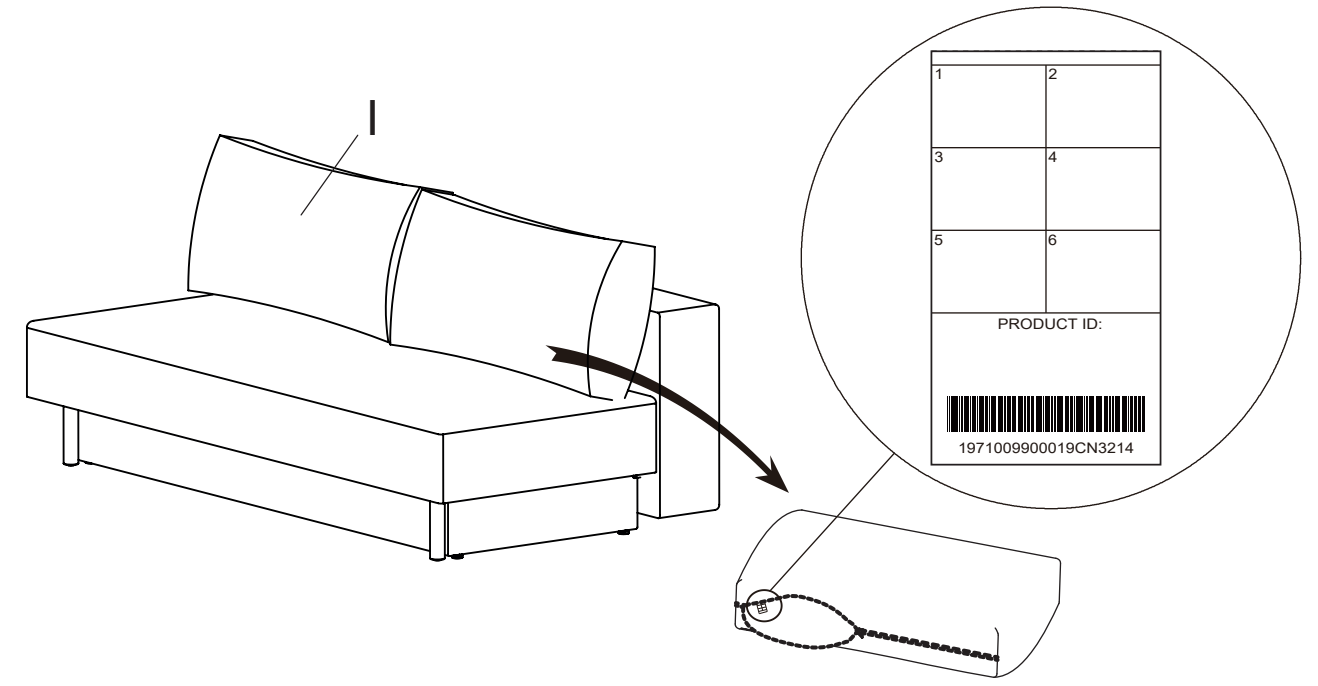
11

① x 4  ⑨ x 2 





13

068013



12

① x 2  ③ x 2  ⑪ x 4 